

SCC-B2300 / SCC-B2391

1/3" DAY/NIGHT, HIGH RESOLUTION, COLOR DIGITAL CAMERA



SUMMARY

The SCC-B2391 and SCC-B2300 color cameras use state-of-the-art 1/3" Sony Super HAD IT CCD's with 410,000 and 270,000 total pixels with a maximum resolution of 570 TV lines. The SCC-B2300 and SCC-B2391 cameras also contain a Day/Night function using an infrared cut filter to automatically switch from Color Mode during the day and B/W Mode at night, allowing 24 hour surveillance.

The day/night cameras support excellent CCD sensitivity, which allows optimum parking lot and interior building observation, even under extreme low light conditions. These cameras are easy to install and can be mounted from either the top or bottom. For convenience and flexibility the cameras operate on both 24VAC and 12VDC, with either a DC or video driven auto iris lens. Their mechanism is designed to accommodate any C/CS lens mount adaptor.

FEATURES

- High Resolution Day/Night Camera
- SCC-B2391: 1/3" Super HAD CCD
- SCC-B2300: 1/3" Super HAD CCD
- TV Lines Resolution:
 - SCC-B2391 - 540 Color/570 BW TV Lines Resolution
 - SCC-B2300 - 400 Color/420 BW TV Lines Resolution
- DSP (Digital Signal Processing)
- Minimum Scene Illumination:
 - SCC-B2391 0.3 (color)/0.06 (BW) Lux
 - SCC-B2300 0.2 (color)/0.03 (BW) Lux
- BLC/AGC
- Flickerless
- Automatic White Balance
- Line-Lock Synchronization
- Accepts 2 types of Auto-Iris Lenses (DC/Video)
- Accepts CS/C lens mounts
- 12VDC/AC24V (60Hz)
- Built-In Ground Fault Isolation Transformer

ACCESSORIES

RECOMMENDED POWER SUPPLIES

- GV-TRAN-24-20LED, 24VAC, 20VA, Class II plug in transformer
- GV-TRAN-24-40LED, 24VAC, 40VA, Class II plug in transformer
- GV-TRAN-12-500DC, 12VDC, 500 MA, plug in transformer
- GV-M2448UL, 24VAC, 4 amp, 8 fused outputs
- GV-M24816UL, 24VAC, 8 amp, 16 fused outputs
- GV-M1234, 12VDC, 3 amp, 4 fused outputs

RECOMMENDED LENS

- GV-2.8-12ADC, 1/3" 2.8-12mm, Vari-Focal, DC Auto Iris
- GV-3.5-8ADC, 1/3" 3.5-8mm, Vari-Focal, DC Auto Iris
- GV-5-100ADC, 1/2", 1/3", 5-100mm, Vari-Focal, DC Auto Iris

RECOMMENDED MOUNTS

- GV-IDWMBG; 6.25" indoor mount
- GV-IDWMBG-5; 4.25" indoor mount

RECOMMENDED HOUSING OPTIONS

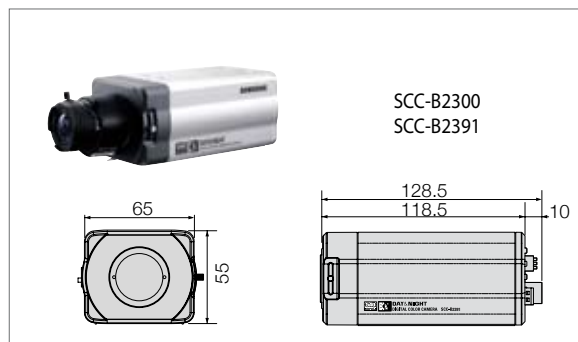
- GV-HOU3512, IP66 rate, indoor/outdoor housing
- GV-HOU3512HB, IP66 rate, indoor/outdoor housing w/ Heater & Blower

SCC-B2300 / SCC-B2391 | TECHNICAL SPECIFICATIONS

Rear Panel



Dimensions (unit : mm)



SPECIFICATIONS

Camera Type	Color/BW	Day/Night Digital Camera	
Image	Device	Super HAD CCD	
	Size	1/3"	
Pixels- Effective	SCC-B2391	768 x 494	
	SCC-B2300	510 x 492	
Scanning	System	525 lines, 2:1 Interlace	
	Horizontal Frequency Internal Mode	15,734Hz	
	Horizontal Frequency Line-lock Mode	15,750Hz	
	Vertical Frequency Internal Mode	59.94Hz	
	Vertical Frequency Line-lock Mode	60Hz	
Min. Scene Illumination	SCC-B2391	0.3 (color)/0.06 (BW) Lux	
	SCC-B2300	0.2 (color)/0.03 (BW) Lux	
Electronic Shutter speed	ELC	1/100,000 sec (max.)	
Functions	BLC	ON	
	AGC	ON	
	ELC	ON/OFF	
	ALC	DC Iris lens/Video lens	
	Line Lock	ON/OFF	
	AWB	ON/OFF	
	Flicker	ON/OFF	
	Day/Night	Auto/External	
	Lens	Mount	C/CS compatible
		Control	DC Iris, Video Iris
	Resolution	SCC-B2391	540 Color/570 BW TV Lines
		SCC-B2300	400 Color/420 BW TV Lines
Video Output	VBS 1.0Vp-p	VBS 1.0Vp-p	
S/N Ratio	S/N Ratio	50dB	
OSD	OSD	NO	
Environmental Conditions	Operating Temperature	-10°C ~ +50°C (14°F ~ +122°F)	
	Humidity	Less than 90%	
Power	Power Requirement	12VDC/AC24V (60Hz)	
	Power Consumption	3W	
	LED Indicator	Yes	
Physical Specification	Dimensions (WxHxD)	2.68" x 2.17" x 5.06" / 68 x 55 x 128.5mm	
	Weight	1lbs/450g	
Certifications	UL, FCC		